

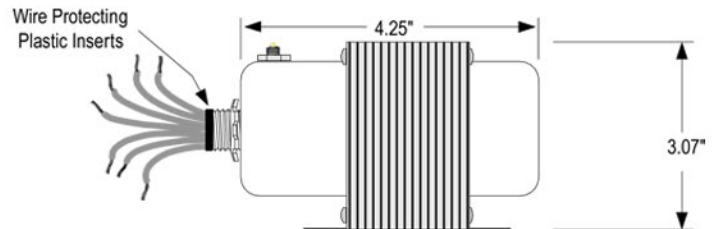
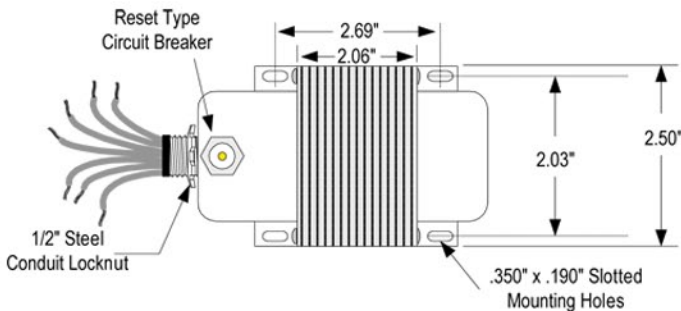
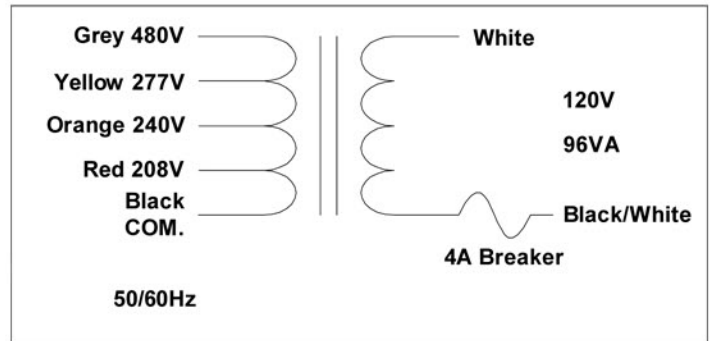
ENCLOSED CONTROL TRANSFORMER

LE50423

MUF-120-100-TF-CB



96_{Va}



SPECIFICATIONS

Input:	208/240/277/480 Vac
Output:	120 Vac
VA Rating:	96VA
Frequency:	50/60Hz
Circuit Protection:	Manual Reset Circuit Breaker
Configuration:	Enclosed Split Bobbin Design with Steel End Bells
Mounting(s):	Slotted Foot Mounts & Threaded Flange Hubs
Primary Connections:	UL 1015 Insulated 18AWG Lead Wires, 9.5" Long, .375" ends Stripped & Tinned
Secondary Connections:	UL 1015 Insulated 18AWG Lead Wires, 9.5" Long, .375" ends Stripped & Tinned
Insulation System:	UL 1446 Recognized Component Class B Insulation System PG125 (130°C, 266°F)
Agency Approvals:	UL506 Listed for USA & Canada. General Purpose Transformer

