

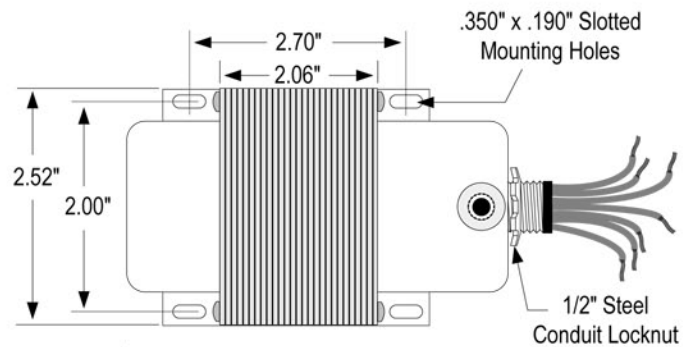
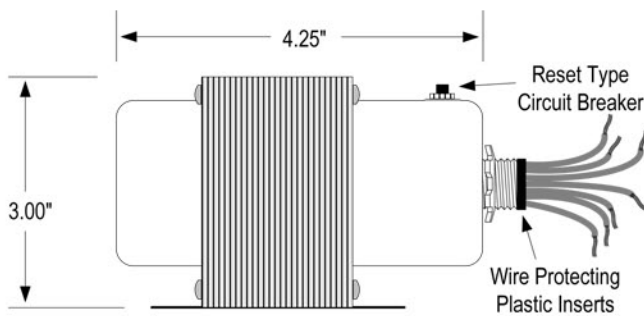
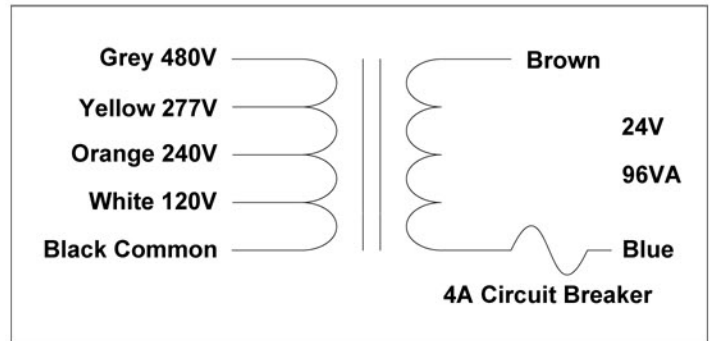
# ENCLOSED CONTROL TRANSFORMER

## LE17550

## MUC-024-100-TF-CB



# 96<sub>VA</sub>



### SPECIFICATIONS

<b>Input:</b>	120/240/277/480 Vac
<b>Output:</b>	24 Vac
<b>VA Rating:</b>	96VA
<b>Frequency:</b>	50/60Hz
<b>Circuit Protection:</b>	Manual Reset Circuit Breaker
<b>Configuration:</b>	Enclosed Split Bobbin Design with Steel End Bells
<b>Mounting(s):</b>	Slotted Foot Mounts & Threaded Flange Hubs
<b>Primary Connections:</b>	UL 1015 Insulated 18AWG Lead Wires, 8" Long, .375" ends Stripped & Tinned
<b>Secondary Connections:</b>	UL 1015 Insulated 18AWG Lead Wires, 8" Long, .375" ends Stripped & Tinned
<b>Insulation System:</b>	UL 1446 Recognized Component Class B Insulation System PG125 (130°C, 266°F)
<b>Agency Approvals:</b>	UL 1585 / UL 5085-1 / UL 5085-3 Listed for USA & Canada. Class 2, Class 3 Transformer CSA Certified

