

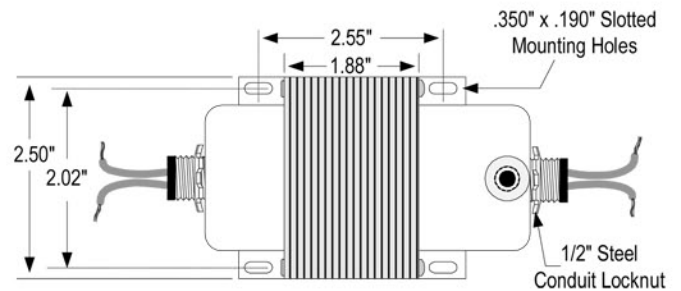
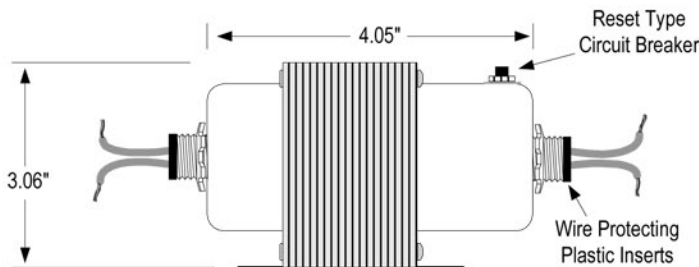
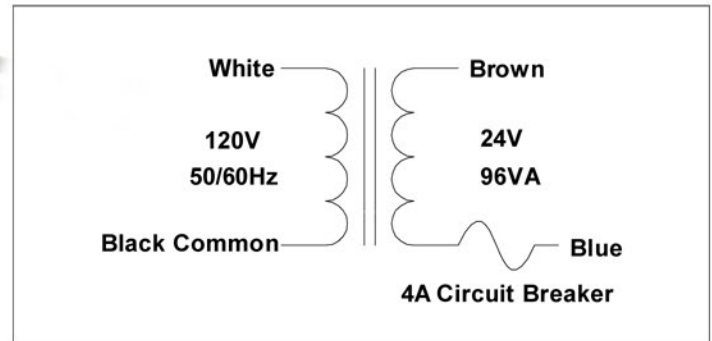
ENCLOSED CONTROL TRANSFORMER

LE12000

120-024-100-2TF-CB



96_{Va}



SPECIFICATIONS

Input:	120 Vac
Output:	24 Vac
VA Rating:	96VA
Frequency:	50/60Hz
Circuit Protection:	Manual Reset Circuit Breaker
Configuration:	Enclosed Split Bobbin Design with Steel End Bells
Mounting(s):	Slotted Foot Mounts & Threaded Flange Hubs
Primary Connections:	UL 1015 Insulated 18AWG Lead Wires, 9" Long, .375" ends Stripped & Tinned
Secondary Connections:	UL 1015 Insulated 18AWG Lead Wires, 9" Long, .375" ends Stripped & Tinned
Insulation System:	UL 1446 Recognized Component Class B Insulation System PG125 (130°C, 266°F)
Agency Approvals:	UL 1585 / UL 5085-1 / UL 5085-3 Listed for USA & Canada. Class 2, Class 3 Transformer CSA Certified

