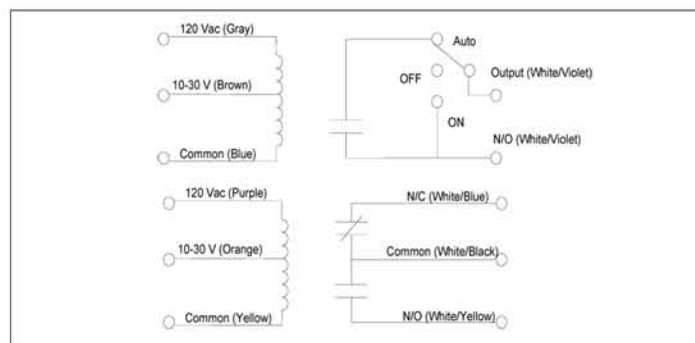


# ENCLOSED RELAY MODULE

## LD97070

## CVR21A1C-H

### Dual Enclosed 10A Relay Module 10-30 Vac/Vdc / 120 Vac Coil



Each device is individually packaged and shipped with 2 mounting screws and 1/2" conduit nut

#### SPECIFICATIONS

# Relays & Contact Style	One (1) SPDT, one (1) SPST + Override
Expected Relay Life (Mechanical)	10 Million Operations Minimum
Operating Temperature	-40 to 150° F
Humidity	95% (Non-Condensing)
Status Indication	LED = Activated
Dimensions	4" x 4" x 1.8"
Mounting Style	1/2-14 NPT Nipple Integral
Lead Wire Length	24" Nominal
Approvals	UL 508, C-UL Canada Industrial Control Device, UL2043 Fire Test
Housing	Cyclooy C2950 UL94-5V, Plenum, NEMA1
Override controls	None
Dry Circuit Operation	Optional

#### COIL CURRENT

30 mA @ 10 Vac	12 mA @ 10 Vdc
32 mA @ 12 Vac	14 mA @ 12 Vdc
42 mA @ 24 Vac	16 mA @ 24 Vdc
50 mA @ 30 Vac	18 mA @ 30 Vdc
35 mA @ 120 Vac	

#### COIL VOLTAGE INPUT

10-30 Vac/Vdc / 120 Vac 50-60 Hz  
 DROP OUT = 2.0 Vac / 2.8 Vdc / 35 Vac  
 PULL IN = 9 Vac / 10 Vdc / 105 Vac

#### CONTACT RATING

Relay #1 (SPDT)	
10 Amps Resistive	28 Vdc / 277 Vac
480 VA Pilot Duty	240 / 277 Vac
480 VA Ballast	277 Vac
TV-3 (N/O)	120 Vac
TV-2 (N/C)	120 Vac
Tungsten 240W (N/C)	120 Vac
Tungsten 600W (N/O)	120 Vac
1/3 hp (N/O)	120 Vac / 240 Vac
1/4 hp (N/O)	277 Vac
1/6 hp (N/C)	120 Vac / 240 Vac
1/8 hp (N/C)	277 Vac

Relay #2 (Override/SPST N/O)	
10 Amps Resistive	125 Vac / 250 Vac
	28 Vdc
	1/3 hp 120 / 240 Vac



File # E202892  
 Industrial Control Device UL508  
 Fire Tested for Heat & Visible Smoke Release  
 In Air Handling Spaces UL2043