

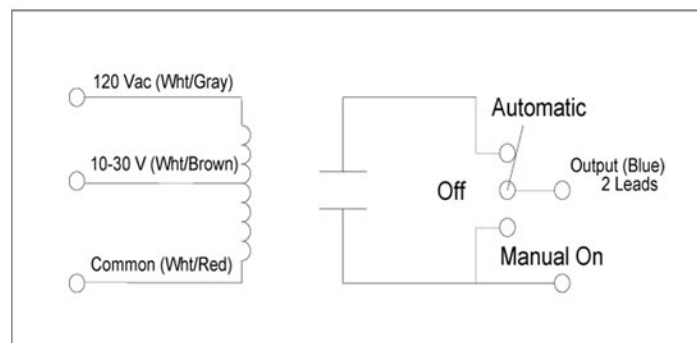
# ENCLOSED RELAY MODULE

## LD96510

## CVR11A-H



### Enclosed 10A Relay Module 10-30 Vac/Vdc / 120 Vac Coil



Each device is individually packaged and shipped with 2 mounting screws and 1/2" conduit nut

#### SPECIFICATIONS

# Relays & Contact Style	One (1) SPST N/O + Override
Expected Relay Life (Mechanical)	10 Million Operations Minimum
Operating Temperature	-40 to 150° F
Humidity	95% (Non-Condensing)
Status Indication	LED = Activated
Dimensions	4" x 4" x 1.8"
Mounting Style	1/2-14 NPT Nipple Integral
Lead Wire Length	24" Nominal
Approvals	UL 508, C-UL Canada Industrial Control Device, UL2043 Fire Test
Housing	Cycloloy C2950 UL94-5V, Plenum, NEMA1
Override controls	Mode Selection On-Off Automatic
Dry Circuit Operation	Optional

#### COIL CURRENT

30 mA @ 10 Vac	12 mA @ 10 Vdc
32 mA @ 12 Vac	14 mA @ 12 Vdc
42 mA @ 24 Vac	16 mA @ 24 Vdc
50 mA @ 30 Vac	18 mA @ 30 Vdc
25 mA @ 120 Vac	

#### COIL VOLTAGE INPUT

10-30 Vac / Vdc / 120Vac / 50-60 Hz  
 DROP OUT = 2.0 Vac / 2.8 Vdc / 35 Vac  
 PULL IN = 9 Vac / 10 Vdc / 105 Vac

#### CONTACT RATING

10 A Resistive	120 Vac / 240 Vac / 28 Vac
1/3 hp	120 Vac / 240 Vac



File # E202892  
 Industrial Control Device UL508  
 Fire Tested for Heat & Visible Smoke Release  
 In Air Handling Spaces UL2043