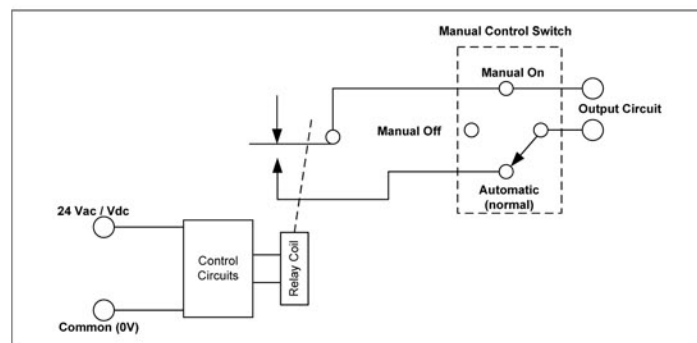
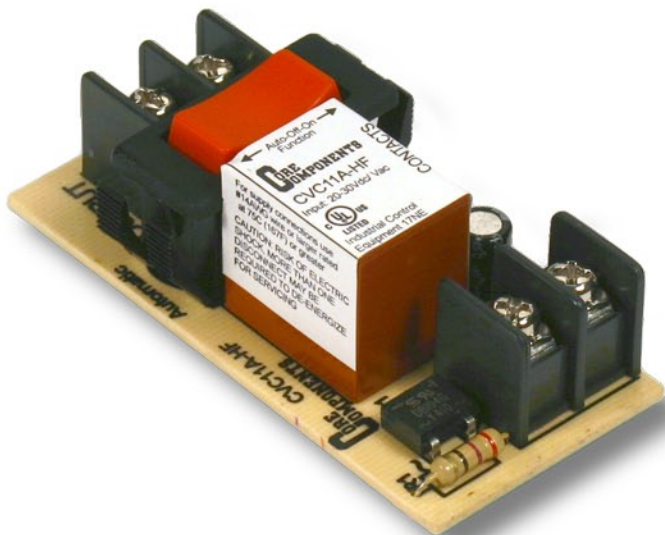


OPEN RELAY MODULE

LD50001

CVC11A-HF

Track Mounted 20A Power Relay 24 Vac / 24 Vdc Input



FEATURES

- 2.75" x 1.30" x 0.82" PC Board Module
- Snap-Trak® Mountable
- Standard barrier style terminal blocks with universal screws and wire retaining plates for I/O connections
- LED indicates relay operation
- Manual On-Off-Auto switch provides ability to override relay for setup and testing
- Factory set N/O mode
- Also available factory set in N/C mode

SPECIFICATIONS

Input	24 Vac / 24 Vdc 15mA
Operating Temperature	-40 to 85 C
Storage Temperature	-40 to 105 C
Expected Relay Life	100,000 Operations @ Full Load 10,000,000 Operations @ No Load
Weight	1.25 oz (40 grams)

CONTACT RATING

20A	125 Vac
16A	277 Vac
12A	30 Vdc
1 hp	125/250 Vac N/O
1/2 hp	125/250 Vac N/C

Accessory Item: Mounting Track Section # ZZ73071



File # E202892
 Industrial Control Device UL508