

Catalog # LD01040

SPECIFICATIONS

1. Mode of Operation:

On/Off Recycling Solid State Flasher (Continuous Duty)

2. Input:

120VAC, ± 15%, 50/60 Hz
Half Wave OR Full Wave

3. Output:

Type: Fullwave AC, Solid State
Form: SPST
Flash Rate: 75 Flashes / Minute ± 20% at 120VAC
On / Off Ratio: Approximately 50% at 120VAC
Maximum Load Current: 1.0 Amps AC at 120VAC, Full Wave
or a 200 Watt Full Wave Load, Half Waved with a rectifier.
Maximum In-Rush 10A Peak.
Load Type: Resistive OR Incandescent

4. Protection:

Transient Protected
Dielectric Strength: 1500V RMS Minimum
Insulation Resistance: 100 MegOhms Minimum

5. Mechanical:

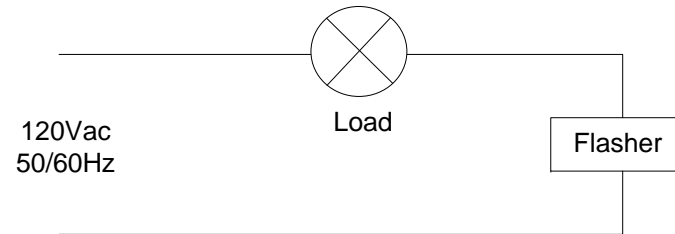
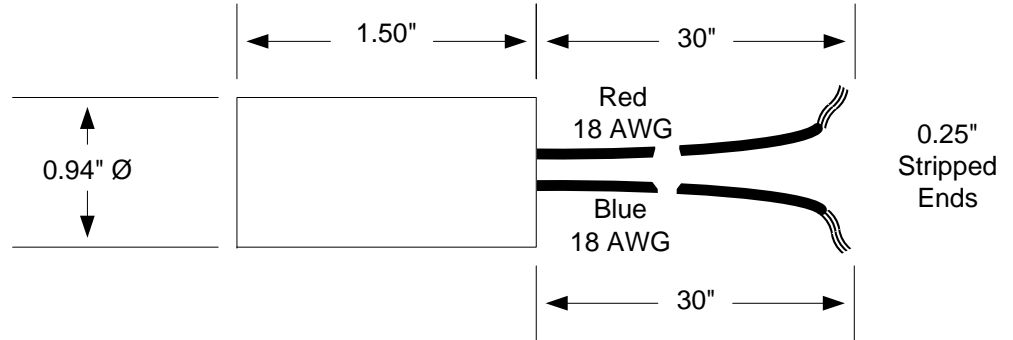
Package: Molded Housing with Encapsulated Circuitry
Wires: 18 AWG, 1/32" Insulation, UL Recognized

6. Enviromental:

Operating Temperature: -20°C to +60°C
Storage Temperature: -40°C to +85°C
Humidity: 95% Relative

7. Agency Approvals:

UL Recognized for US and Canada



Tel 800-216-CORE Fax 630-690-0781

Core Components					
FILENAME	DESCRIPTION	DRAWN BY	PAGE	REVISED	REV.
981000331	Flasher	CDC	1 OF 1	05/25/05	B
NOTE					
All Dimensions are Ref. Only					