



11 SMX11...

11 SMX12...



11 SMX13 11

11 SMX14...



11 SMX15...

11 SMX16...



11 SMX18 10



11 SMX90 30

11 SMX90 31



11 SMX90 3...
11 SMX90 4...

Order code	Characteristics	Qty per pkg	Wt
		n°	[kg]
Add-on auxiliary contacts.			
11 SMX11 20Ⓣ	Front mount 2NO	10	0.013
11 SMX11 11Ⓣ	Front mount 1NO+1NC	10	0.013
11 SMX12 11	Side mount 1NO+1NC	10	0.045
11 SMX12 02	Side mount 2NC	10	0.045
11 SMX12 20	Side mount 2NO	10	0.045
11 SMX13 11	Side-mount indicator contacts for thermal and magnetic tripping 1NO+1NCⓉ	10	0.045
Undervoltage trip releases.			
11 SMX14 BC	110VAC 50/60Hz	5	0.125
11 SMX14 CL	230VAC 50/60Hz	5	0.125
11 SMX14 EA	400VAC 50/60Hz	5	0.125
11 SMX15 CL	230VAC 50/60Hz with early-make contacts	5	0.140
11 SMX15 EA	400VAC 50/60Hz with early-make contacts	5	0.140
Shunt trip releases.			
11 SMX16 AF	24VAC 50/60Hz	5	0.124
11 SMX16 BC	110VAC 50/60Hz	5	0.124
11 SMX16 CL	230VAC 50/60Hz	5	0.124
11 SMX16 EA	400VAC 50/60Hz	5	0.124
Padlockable attachment for operating lever.			
11 SMX18 10	3 padlocks max Ø 5mm	1	0.049
Adjuster sealing kit.			
11 SMX18 12	For all types	1	0.006
Padlockable door coupling handle.			
11 SMX18 14	3 padlocks maximum IP65. Red/yellow	1	0.720
11 SMX18 15	3 padlocks maximum IP65. Black	1	0.760
Terminal block for busbar supply.			
11 SMX90 30	For all types	10	0.048
Safety cover.			
11 SMX90 31	For unused busbar terminals	10	0.005
Three-phase connection busbars 45mm/1.77" spacing.			
11 SMX90 32	For 2 breakers without side-mount contacts	10	0.027
11 SMX90 33	For 3 breakers without side-mount contacts	10	0.050
11 SMX90 34	For 4 breakers without side-mount contacts	10	0.071
11 SMX90 35	For 5 breakers without side-mount contacts	10	0.092
Three-phase connection busbars 54mm/2.13" spacing.			
11 SMX90 42	For 2 breakers complete with side-mount contacts	10	0.031
11 SMX90 43	For 3 breakers complete with side-mount contacts	10	0.056
11 SMX90 44	For 4 breakers complete with side-mount contacts	10	0.081
11 SMX90 45	For 5 breakers complete with side-mount contacts	10	0.081

Ⓣ Not suitable for fixing on SM1C types.
Ⓣ Tripping is indicated by flag indicator on front.

General and operational characteristics

ADD-ON AUXILIARY BLOCKS

- Snap on to the front or the right side of the breaker
- Maximum combination: 3 SMX... blocks with 6 auxiliary contacts in total of which 2 on front (SM1C excluded) and 4 on the side (2 normal contacts and 2 indicators)
- IEC conventional free air thermal current I_{th}: 6A (2.5A for SMX11...)
- IEC rated insulation voltage U_i: 690V (250V for SMX11...)
- UL/CSA and IEC/EN 60947-5-1 designation: C600 Q600 (C300 R300 for SMX11...)
- Maximum tightening torque: 1Nm/9lbin
- Conductor cross section minimum-maximum (1 or 2 wires): 0.75-2.5 mm² or 18/14 AWG
- Width of side-mount auxiliary contacts equal to 0.5 standard DIN 46880 module.

UNDERVOLTAGE TRIP RELEASE

- Connectable to the left side of the breaker
- Consumption in-rush/holding: 12/3.5VA
- Drop-out voltage: 0.35-0.7Us
- Pick-up voltage: 0.85-1.1Us
- Maximum tightening torque: 1Nm/9lbin
- Conductor cross section minimum-maximum (1 or 2 wires): 0.75-2.5mm² or 18/14 AWG.

SHUNT TRIP RELEASE

- Connectable to the left side of the breaker
- In-rush consumption: 20VA
- Operating limits: 0.7-1.1Us
- Maximum tightening torque: 1Nm/9lbin
- Conductor cross section minimum-maximum (1 or 2 wires): 0.75-2.5mm² or 18/14 AWG.

TERMINAL BLOCK FOR BUSBAR SUPPLY

- I_{max} 63A
- Maximum tightening torque: 2.3Nm/20lbin
- Conductor cross section minimum-maximum: 4-25mm² or 10/4 AWG.

THREE-PHASE CONNECTION BUSBAR

- I_{max} 63A
- SMX90 3... 45mm/1.77" spacing to reduce the width to the minimum
- SMX90 4... 54mm/2.13" spacing to consent to fit one side-mount auxiliary contact block on the breaker.

Certifications and compliance

Certifications obtained: EAC for all; UL Listed, for USA and Canada (cULus - File E93602), under motor controllers, for auxiliary contacts, releases and padlockable attachment of operating lever; CCC for SMX12... and SMX13 11 auxiliary contacts. Compliant with standards: IEC/EN 60947-1, IEC/EN 60947-5-1, UL508, CSA C22.2 n° 14.


11 SMX90 03

**SMX31 41
SMX31 42
SMX32 41**

11 SMX90 10

11 SMX90 12

11 SMX90 14

**11 SMX17 10
11 SMX17 11**

11 SMX17 20

11 SMX17 35

11 SMX17 40

11 SMX17 45

Order code	Characteristics	Qty per pkg	Wt
		n°	[kg]

Rigid SM1 breaker-contactor connections.

11 SMX90 03	For SM1 breaker with BG mini-contactor.	10	0.025
SMX31 41	For SM1 breaker with BF09A-BF25A contactor. Complete with cover	10	0.044
SMX31 42	For SM1 breaker with BF09D-BF25D and BF09L-BF25L contactor. Complete with cover	10	0.046
SMX32 41	For SM1 breaker with BF26A-BF38A contactor. Complete with cover	10	0.050

Adapter plates.

11 SMX90 10	Adapter plate for direct-on-line starter (SM1 breaker and BG or BF09A-BF38A contactors)	1	0.058
11 SMX90 12	Adapter plate for reversing contactor assembly (SM1 breaker and BG or BF09A-BF38A contactors)	1	0.095
11 SMX90 14	Adapter plate for star-delta starter (SM1 breaker and 45mm/1.77" wide contactors BF09A-BF38A)	1	0.118
11 SMX90 18	35mm DIN rail (IEC/EN 60715) for cable bypass of contactor used with SMX90 14 plate	1	0.025
11 SMX90 19	35mm DIN rail extension	1	0.025

Surface mount enclosures.

11 SMX17 10	IP40. 100mm/4" wide	1	0.404
11 SMX17 11	IP40. 85mm/3.3" wide	1	0.358

Flush mount enclosure.

11 SMX17 20	IP40. 122mm/4.8" wide, 103x144mm/4.05x5.67" cutout	1	0.341
--------------------	--	---	-------

ACCESSORIES FOR ENCLOSURES.

Padlockable rotary actuator.

11 SMX17 30	IP65. Grey-black. For SMX17 10 and SMX17 20 enclosures	1	0.110
11 SMX17 35	IP65. Red-yellow. For SMX17 10 and SMX17 20 enclosures	1	0.142

Actuator with emergency stop button.

11 SMX17 40	IP65. For SMX17 11 enclosure	10	0.174
--------------------	------------------------------	----	-------

IP65 membrane complete with rim.

11 SMX17 45	For SMX17 11 enclosure	10	0.035
--------------------	------------------------	----	-------

Neutral connection.

11 SMX17 50	For SMX17 10 and SMX17 20 enclosures only	10	0.026
--------------------	---	----	-------

Pilot light.

23 NEONV	Green	10	0.006
23 NEONR	Red	10	0.006

Marking elements.

BFX30	Blank label for writing	50	0.002
--------------	-------------------------	----	-------

- ① To obtain IP65 degree of protection, mount the 11 SMX17 45 membrane.
- ② The device obtained with this actuator is not suitable for isolation per IEC/EN 60947-2 standards.
- ③ Complete with required voltage. Available voltages:
 - AC 50/60Hz 24/110/220-240 (indicate 220)/380-415 (indicate 380) VAC.

General and operational characteristics

SM1 - CONTACTOR CONNECTION

The SMX90 03, SMX31... and SMX32 41 rigid connections electrically and mechanically fasten the breaker together with the contactor forming a single-unit starter for quick installation on 35mm DIN rail (IEC/EN 60715).

STARTER ASSEMBLY ADAPTER PLATES

The elements consent to preassemble starters and to form trim and compact single-unit equipment for quick and easy installation.

The starter adapter plates install on 35mm DIN rail (IEC/EN 60715).

SURFACE MOUNT ENCLOSURE

- Top or bottom entry:

- PG16 threaded knockouts for SMX17 10
- 22.5mm/0.88" knockouts for SMX17 11

- Rear entry:

- 22.5mm/0.88" knockouts

- Holds a SM1 breaker equipped with one side-mount contact block, one front-mount block (except for SM1C) and either one shunt or undervoltage release

- Earth/ground terminal included

- Operating temperature: -5...+40°C

- Storage temperature: -50...+80°C.

FLUSH MOUNT ENCLOSURE

- Use with breaker, complete with 1 front-mount (except for SM1C) and 1 side-mount blocks and one shunt or undervoltage release

- Earth/ground terminal included

- 103x144mm/4.05x5.67" cutout

- Operating temperature: -5...+40°C

- Storage temperature: -50...+80°C.

ENCLOSURE ACCESSORIES

PADLOCKABLE ROTARY ACTUATOR:

- Suitable for SMX17 10 or SMX17 20 type only
- Raises the degree of protection of the enclosure to IEC IP65
- 3 padlocks maximum.

ACTUATOR WITH EMERGENCY PUSH-BUTTON:

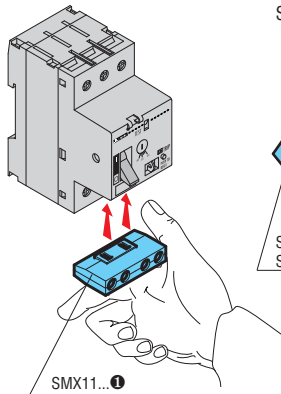
- Suitable for SMX17 11 only
- Raises the degree of protection of the enclosure to IEC IP65.

Certifications and compliance

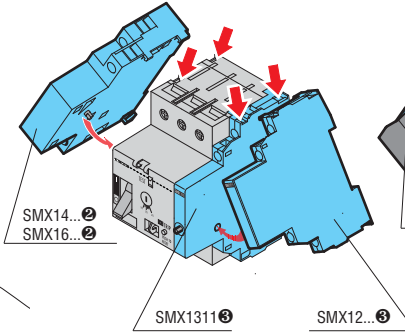
Certifications obtained: EAC for all SMX... types and pilot lights; UL Listed for USA and Canada (cULus - File E93602), under motor controllers, for SMX90 03, SMX31 41 and SMX32 41 connections. Compliant with standards: IEC/EN 60947-1, UL508, CSA C22.2 n° 14.

Combinations

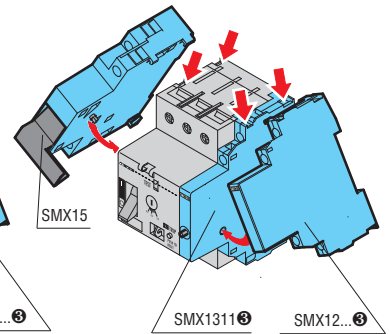
Front-mount contacts



Side-mount contacts
Undervoltage trip release
Shunt trip release

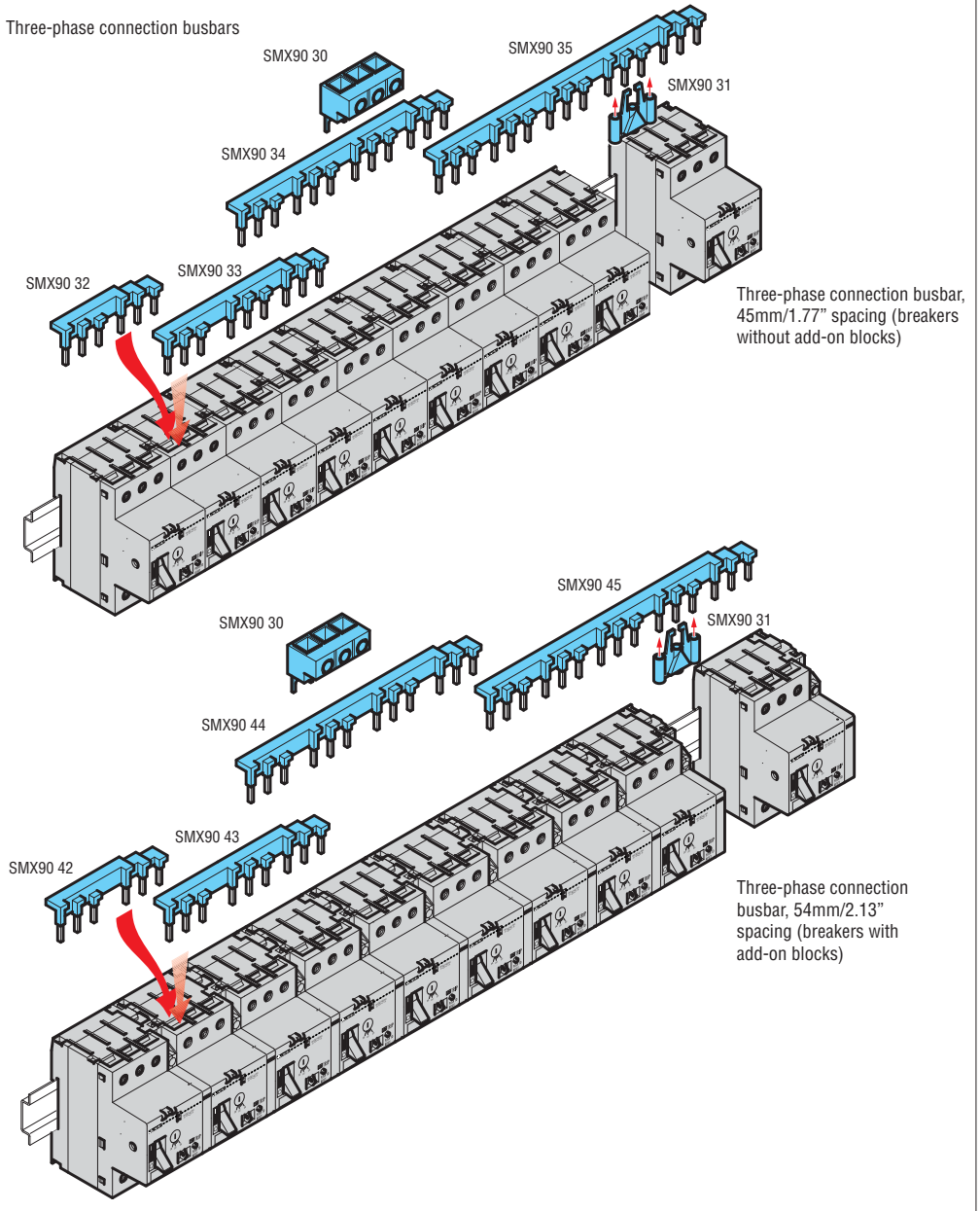


Side-mount contacts
Undervoltage trip release with auxiliary contacts



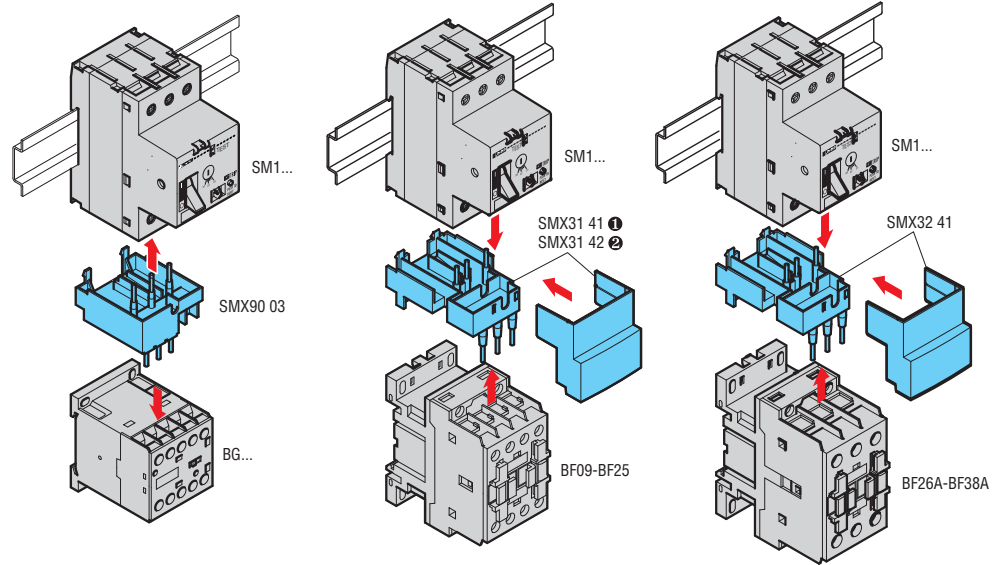
- ❶ Not suitable for use with SM1C type.
- ❷ Only one add-on block can be fixed on the left side of the breaker.
- ❸ One of the following combinations can be mounted on the right side of the breaker:
 - One each of SMX13 11 and SMX12...
 - or one only SMX13 11
 - or one only SMX12 ...

Three-phase connection busbars

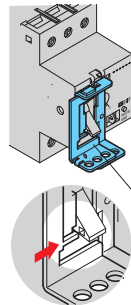


Combinations

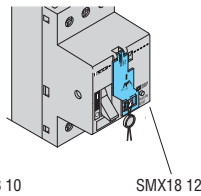
Rigid breaker-connector connection and protection cover



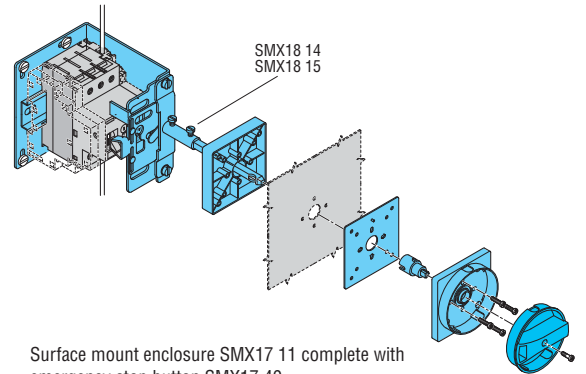
Padlockable attachment for operating lever



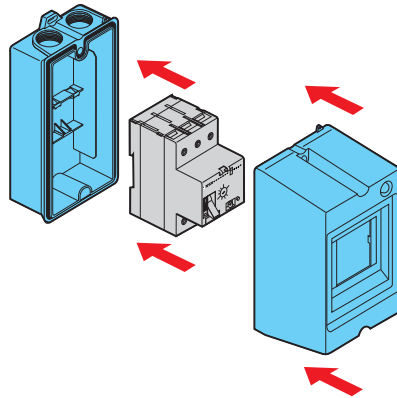
Adjuster sealing kit



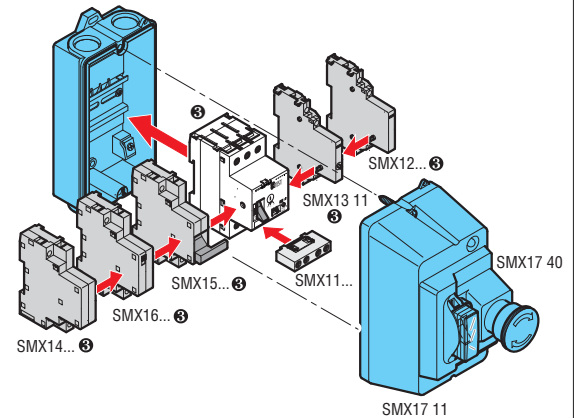
Padlockable door coupling handle



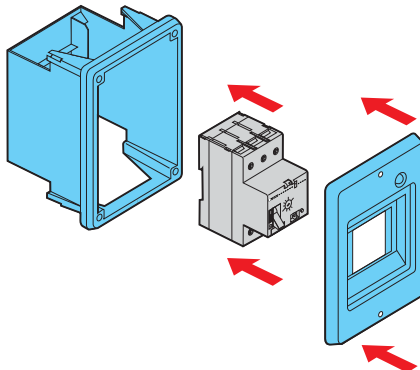
Surface mount enclosure SMX17 10 or SMX17 11



Surface mount enclosure SMX17 11 complete with emergency stop button SMX17 40.



Flush mount enclosure SMX17 20



- ① For BF09A-BF25A contactors.
- ② For BF09D-BF25D and BF09L-BF25L contactors.
- ③ One only add-on block can be mounted on each side of the breaker.

1



11 SMX20 11
11 SMX21 11



11 SMX22...



11 SMX23 11



11 SMX24...
11 SMX25...
11 SMX26...

Order code	Characteristics	Qty per pkg	Wt
		n°	[kg]
Add-on auxiliary contacts.			
11 SMX20 11	Front mount 1 changeover (SPDT)	10	0.016
11 SMX21 11	Front mount 1NO+1NC	10	0.018
11 SMX22 02	Side mount 2NC	2	0.046
11 SMX22 11	Side mount 1NO+1NC	2	0.046
11 SMX22 20	Side mount 2NO	2	0.046
11 SMX23 11	Side-mount indicator contacts (1NO+1NC) for thermal trip and (1NO+1NC) for magnetic trip ^①	1	0.092
Undervoltage trip releases.			
11 SMX24 BC	110VAC 50/60Hz	1	0.136
11 SMX24 CL	230VAC 50/60Hz	1	0.136
11 SMX24 EA	400VAC 50/60Hz	1	0.136
11 SMX25 CL	230VAC (50/60Hz) with early-make contacts	1	0.136
11 SMX25 EA	400VAC (50/60Hz) with early-make contacts	1	0.136
Shunt trip releases.			
11 SMX26 AF	24VAC 50/60Hz	1	0.132
11 SMX26 BC	110VAC 50/60Hz	1	0.132
11 SMX26 CL	230VAC 50/60Hz	1	0.132
11 SMX26 EA	400VAC 50/60Hz	1	0.132
Padlockable door coupling rotary actuator.			
11 SMX28 05	IP65. 3 padlocks maximum. Black colour	1	0.102
11 SMX28 10	IP65. 3 padlocks maximum. Red-yellow colour	1	0.110

^① See diagram on p. 1-16 for the exact operation.

General and operational characteristics

ADD-ON AUXILIARY BLOCKS

- Insert on the top front or snap on the left side of the breaker
- Maximum combination: 4 SMX... blocks with 8 auxiliary contacts in total of which 2 on front and 6 on the sides (2 normal contacts and 4 indicators)
- IEC conventional free air thermal current I_{th}: 10A (2.5A for SMX21 11)
- IEC rated insulation voltage U_i: 690V (250V for SMX20... and SMX21...)
- UL/CSA and IEC/EN 60947-5-1 designation: A600 Q300 (C300 R300 for SMX20... and SMX21...)
- Maximum tightening torque: 1.2Nm/10.3lbin
- Conductor cross section minimum-maximum (1 or 2 wires): 0.5-2.5mm² or 18/14 AWG.

UNDERVOLTAGE TRIP RELEASE

- Snap on to the right side of the breaker
- Consumption inrush/holding: 20.2/7.2 VA; 13/2.4 W
- Drop-out voltage: 0.35-0.7U_s
- Pick-up voltage: 0.85-1.1U_s
- Maximum tightening torque: 1.2Nm/10.3lbin
- Conductor cross section minimum-maximum (1 or 2 wires): 0.5-2.5mm² or 18/14 AWG.

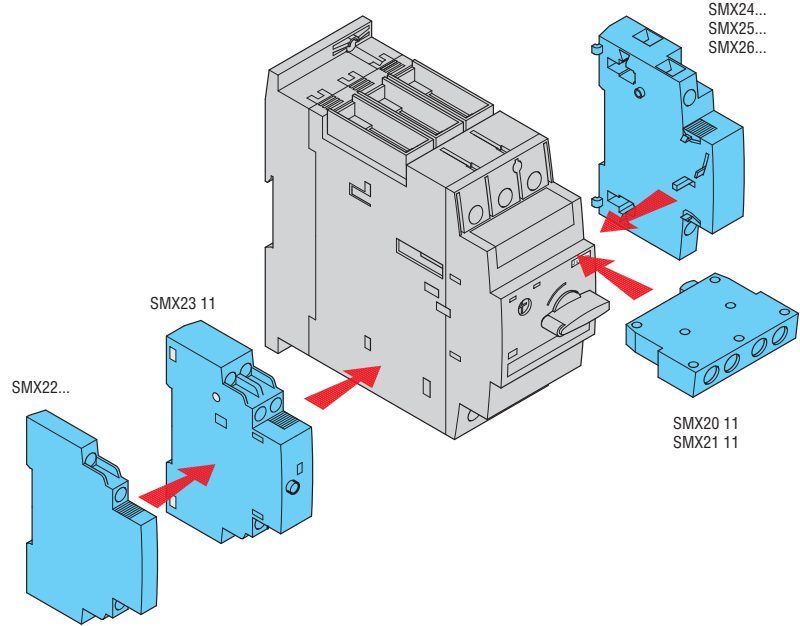
SHUNT TRIP RELEASE

- Snap on to the right side of the breaker
- In-rush consumption: 20.2VA; 13W
- Operating voltage: 0.7-1.1U_s
- Maximum tightening torque: 1.2Nm/10.3lbin
- Conductor cross section minimum-maximum (1 or 2 wires): 0.5-2.5mm² or 18/14 AWG.

Certifications and compliance

Certifications obtained: EAC for all; UL Listed, for USA and Canada (cULus - File E93601), and CSA Certified (File 703212), as Auxiliary Devices, for auxiliary contacts and releases.
Compliant with standards: IEC/EN 60947-1, IEC/EN 60947-5-1, UL508, CSA C22.2 n° 14.

Combinations



Padlockable door coupling rotary actuator SMX28 05 - SMX28 10

