

# WH-A/WK-A

## Revolving Warning Light



Model **DEB LED Lamp**  
**Recommended Product**  
 For more details on Model DEB Refer to the "Replacement Bulb" Section at the end of this Catalog



**Bulb**



**1 Alarm Sound** (WHB-A Only)

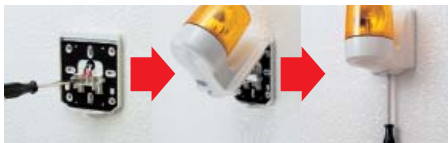
**90dB at 1m** (WHB-A Only)

**IP54**

**Ø100**

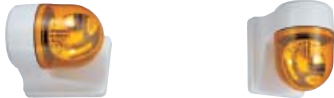


Easily attachable to an electrical box with easy wiring to a terminal block.



Install in various directions when using for indoor applications.

- Sideways
- Upside-down



When installing the WHB, direct the buzzer in a downward direction.

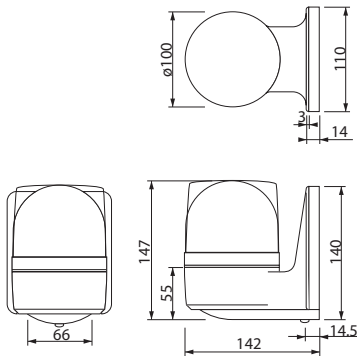
## Wall-mount Revolving Warning Light featuring easy wiring with terminal block.

### FEATURES

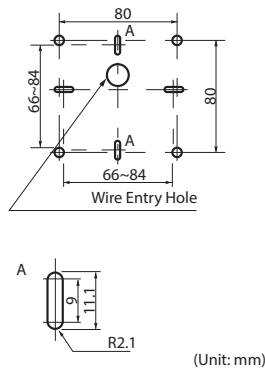
- Has the CE mark and conforms to the requirements (12V, 24V type only) for the EC directive.
- Upright, inverted, and sideways installation allowed for indoors as well as outdoors\*.
- Dome is made from superior weather-resistant and light-translucent acrylic resin.
- Rotating parabolic reflector to enhance visibility from a distance.
- Compact motor with high durability and energy-efficient characteristics.
- Vibration-resistant automobile bulb for extended bulb life.
- Main body is made of impact and heat resistant ABS resin.
- Available Colors are Red, Amber, Green, and Blue.
- Uses a terminal block for easy wiring.

\*WHB installation is upright only for outdoor use.

### Dimensions



### Mounting Dimensions



(Unit: mm)

### Specifications

Model	Rated Voltage	Current Consumption	Flash Rate (fpm)	Bulb		Mass
				Rated	Repl. No.	
WK-12A	DC 12V	0.8A	170	12V 10W	9	550g
WH-24A	DC 24V	0.5A		24V 10W	10	
WK-24A				12V 5W	12	750g
WH-100A	AC 100V	0.07A				
WK-100A						
WH-120A	AC 120V	0.08A				
WK-120A						
WH-200A	AC 200V	0.04A		12V 10W	9	550g
WK-200A						
WHB-24A	DC 24V	0.5A		24V 10W	10	
WKB-24A				12V 5W	12	750g
WHB-100A	AC 100V	0.07A				
WKB-100A						
WHB-120A	AC 120V	0.07A				
WKB-120A						
WHB-200A	AC 200V	0.04A		12V 5W	12	750g
WKB-200A						

### How to Order

<b>WK</b>	<b>-</b>	<b>A</b>	<b>Color</b>
Model			R: Red
WK-A			Y: Amber
WH-A			G: Green
			B: Blue
		<b>Rated Voltage</b>	
Alarm		12 : DC 12V	
None: Without		24 : DC 24V	
B: With		100: AC 100V	
		120: AC 120V	
		200: AC 200V	