

WE/WEP

Signal Tower



LED



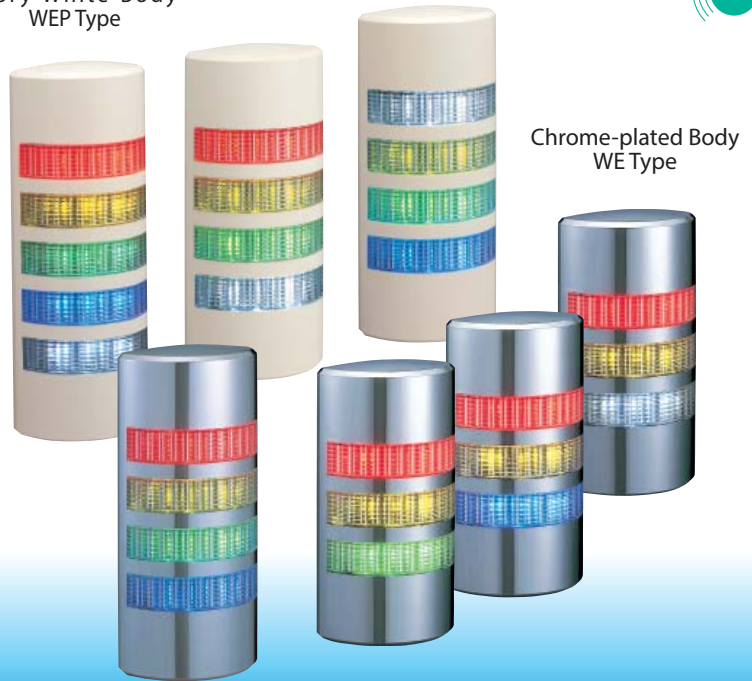
2 Alarm Sounds (FB Type)

90dB at 1m (FB Type)

IP65 (FB Type: IP54)

NPN/PNP
Open-collector

Ivory White Body
WEP Type



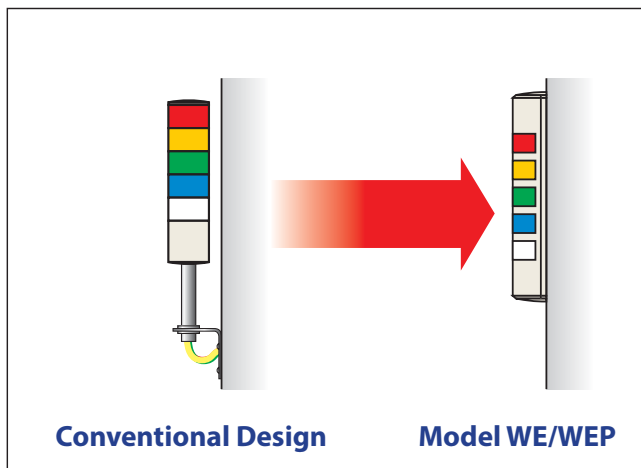
Chrome-plated Body
WE Type

Ultra slim half-moon shaped Signal Tower offers seamless integration with most equipment.

FEATURES

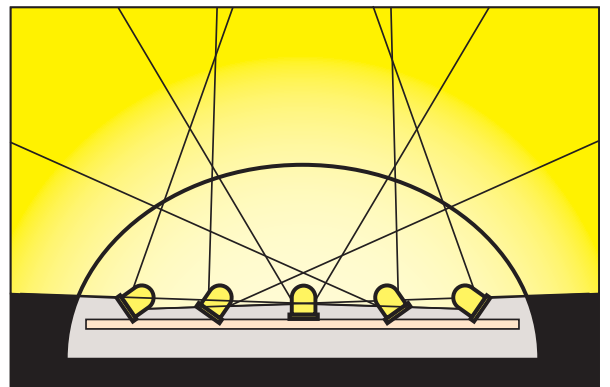
- Clear vertical-cut lens for enhanced illumination over a wide perspective.
- Has an optional built-in audible alarm (FB type) with an output of 90dB (at 1m).
- Installation can be vertical or horizontal.
- Two body color selections of chrome plated or ivory white.
- Lens made of superior impact and heat resistant polycarbonate resin for superior durability and enhanced illumination.
- Both NPN and PNP Compatible for direct connection to a PLC (24V DC ONLY)
- Two lighting patterns of flashing and continuous lighting.
- Dust and water resistance rating of IP65 (except for FB type: IP54).
- Available colors are in Red, Amber, Green, Blue, and Clear/White.
- Has the CE mark and conforms to the requirements for the EC directive.
- Is a UL Recognized Component (File No. E215660).

37.5mm Super-thin Design!



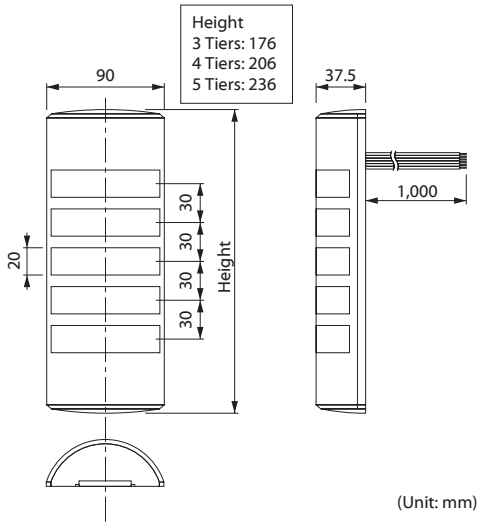
Patlite has perfected a 37.5mm-thin design that significantly enhances integration with the equipment as a built-in signal system.

Exclusively New LED Lighting Design

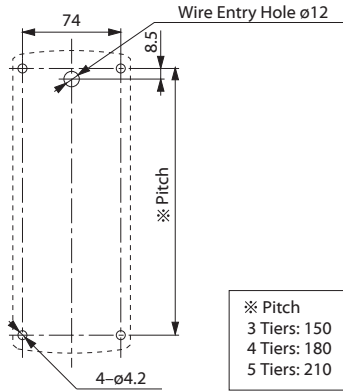


Patlite has created a revolutionary patented lighting design in which multiple LEDs project light across a broad peripheral area, ensuring equal intensity at the sides as well as the front. This design, with its side-projection technology, is a unique achievement in signal light design.

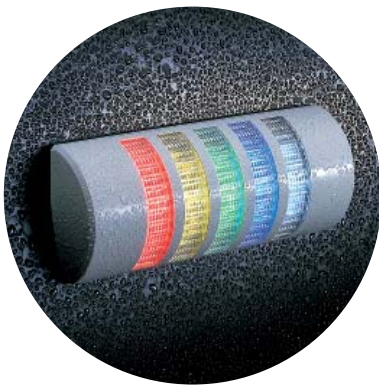
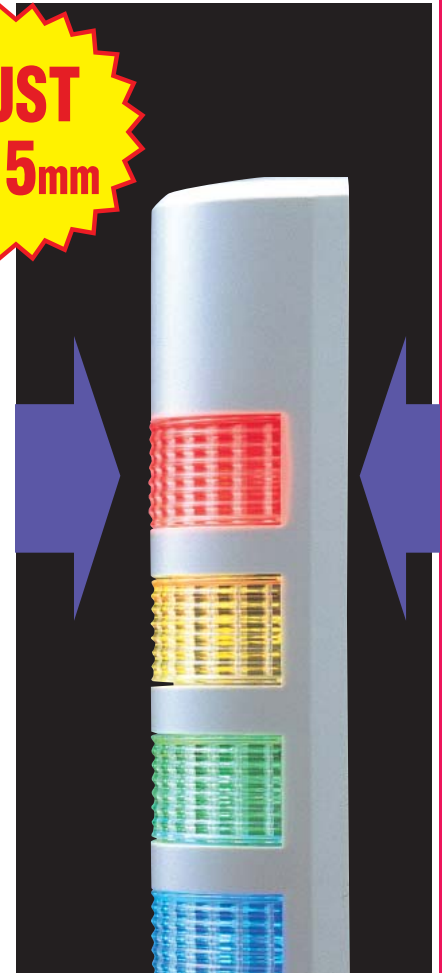
Dimensions



Mounting Dimensions

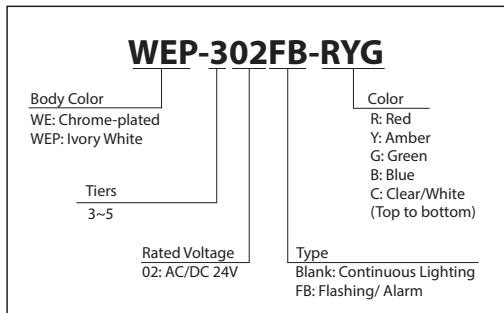


JUST 37.5mm



IP65 construction is safe for installation in damp locations and dusty factory environments.

How to Order



Specifications

Stack Number	Model	Rated Voltage	Power Consumption	Mass
3 Tiers	WE(P)-302	AC/DC 24V	1.7W	260g
	WE(P)-302FB		2.7W	300g
4 Tiers	WE(P)-402		2.0W	310g
	WE(P)-402FB		3.2W	350g
5 Tiers	WE(P)-502		2.7W	310g
	WE(P)-502FB		3.7W	350g

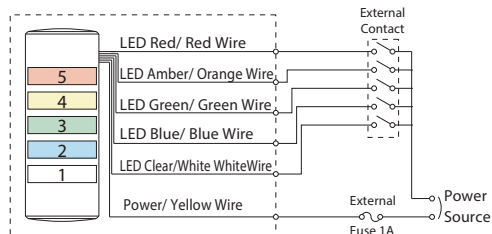
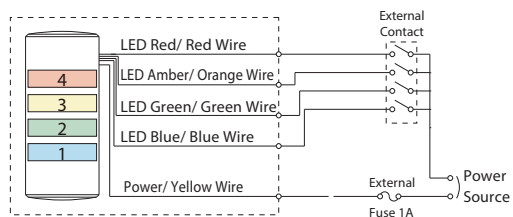
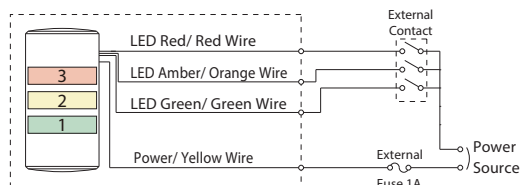
Alarm Sounds	Lead Wire Color
Buzzer 1	Purple
Buzzer 2	Skyblue

Signal Line voltage and current per LED Module

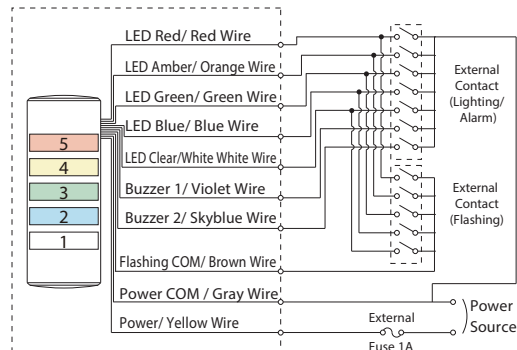
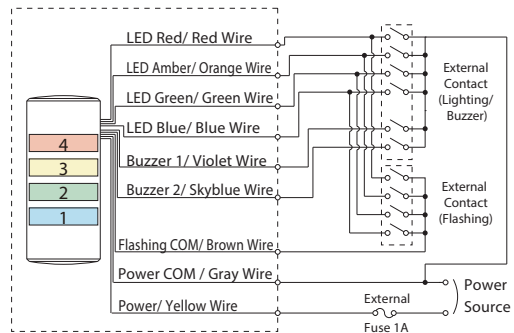
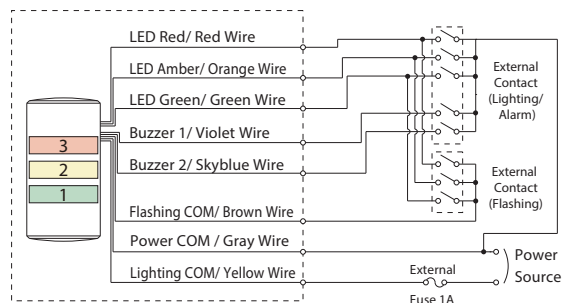
Model	Rated Voltage	Signal Line Voltage	LED		Alarm	
			Signal Line Current		Signal Line Current	Inrush Current
			R, Y	G, B, C		
WE/WEP	AC/DC 24V	AC/DC 24V	30mA	25mA	40mA	250mA

Wiring

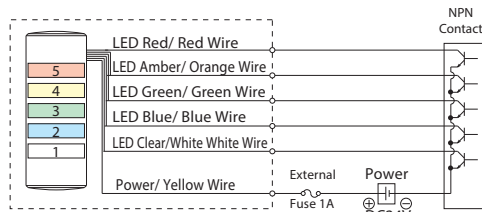
• AC/DC 24V Lighting Type



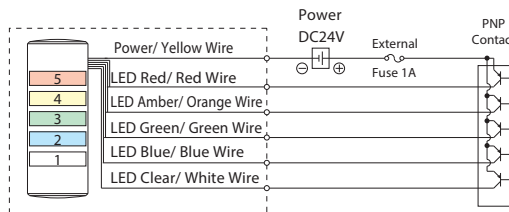
• AC/DC 24V Lighting/Flashing Type



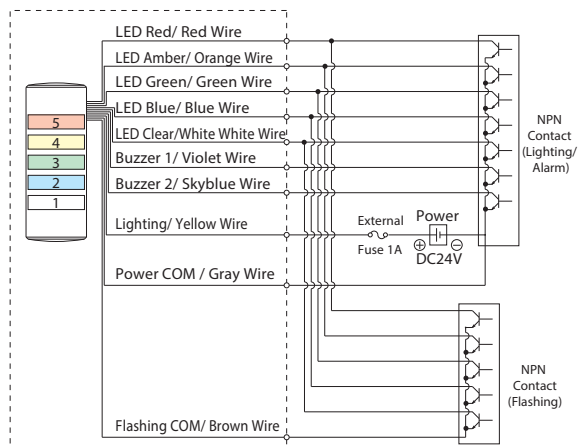
• DC 24V NPN Type



• DC 24V PNP Type



• DC 24V NPN FB Type



• DC 24V PNP FB Type

