



New LED strobe-flashing beacon! Available in five LED Colors!

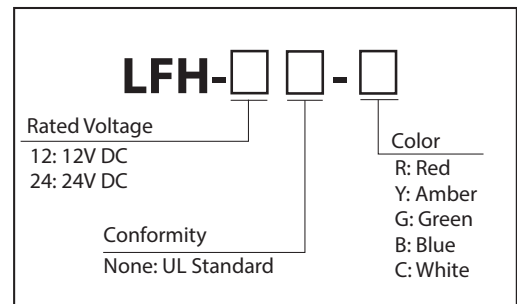
Specifications- LFH

Model	LFH-12	LFH-24	LFH-48	LFH-M2
Rated Voltage	12V DC	24V DC	48V DC	100/ 120/ 200/ 230
Voltage Range	10 16V DC	20 - 28V DC	40 - 55V DC	90 - 250V AC
Current Consumption	0.50A (max.)	0.23A (max.)	0.18A (max.)	0.12A (max.)
Maximum Operating Ambient Temperature	70°C			60°C
Protection Rating	IP66			
Mounting Location	Indoor or Outdoor Use			
Flash Rate	110 ±10rpm (Triple-flash)			
Certifications	UL, CE, RoHS, FCC			
Mass	0.57kg		0.61kg	

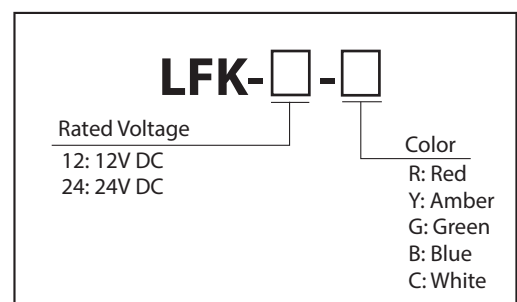
Specifications- LFK

Model	LFK-12S	LFK-24S	LFK-48S
Rated Voltage	12V DC	24V DC	48V DC
Voltage Range	10 16V DC	20 - 28V DC	40 - 55V DC
Current Consumption	0.49A (max.)	0.19A (max.)	0.17A (max.)
Maximum Operating Ambient Temperature	60°C		
Protection Rating	IP55		
Mounting Location	Indoor or Outdoor Use		
Flash Rate	140 ±14rpm (Triple-flash)		
Mass	0.5kg		

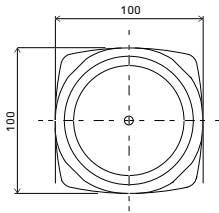
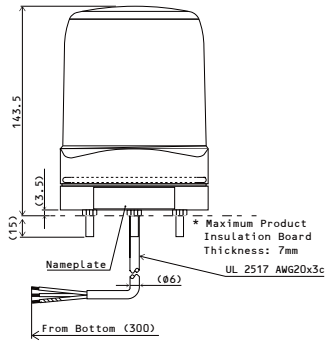
How to Order LFH



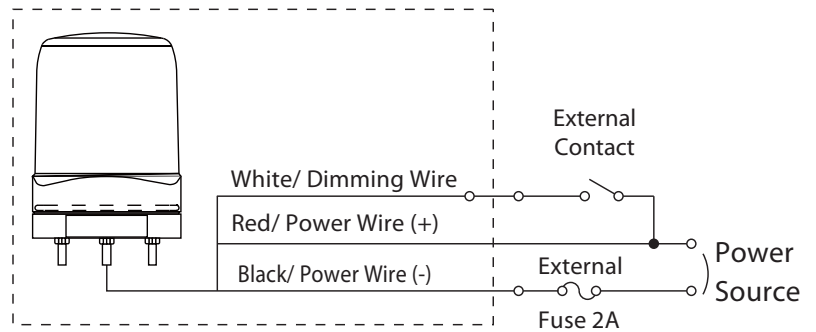
How to Order LFK



Dimensions



Wiring



Search for at <http://www.patlite.com>

PATLITE Corporation

E-mail: overseas@patlite.co.jp

8-8, Matsuyamachi, Chuo-ku, Osaka, Japan 542-0067
International Division, Sales and Marketing Department
TEL: +81-6-6763-8220 FAX: +81-6-6763-8221

PATLITE (U.S.A.) Corporation

E-mail: sales@patlite.com

20130 S. Western Ave. Torrance, CA90501, U.S.A.
TEL: +1-310-328-3222 FAX: +1-310-328-2676

PATLITE (SINGAPORE) PTE LTD

E-mail: sales@patlite.com.sg

No.2 Leng Kee Road, #05-01 Thye Hong Centre, Singapore 159086
TEL: +65-6226-1111 FAX: +65-6324-1411

PATLITE (CHINA) Corporation

E-mail: sales@patlite.cn

Room 512, Jufeng Business Building, No.697-3 Lingshi Road, Shanghai China 200072
TEL: +86-21-6630-8969 FAX: +86-21-6630-8938

PATLITE Europe GmbH

E-mail: info@patlite.eu

Am Soeldnermoos 8, D-85399 Hallbergmoos, Germany
TEL.+49-811 9981 9770-0 FAX.+49-811 9981 9770-9

PATLITE KOREA CO., LTD.

E-mail : sales@patlite.co.kr

A-2603, Daesung D-POLIS, 543-1 Gasan-dong, Geumcheon-gu, Seoul, 153-803
TEL.+82-2-523-6636 FAX.+82-2-861-9919

PATLITE Japan Representative Office in Taiwan

7F. No. 91, Huayin St, Datong District Taipei, Taiwan R.O.C
TEL.+886-2-2555-1611 FAX.+886-2-2555-1621

P.T. PATLITE INDONESIA (FACTORY)

LOT 321 Batamindo Industrial Park, Jalan Beringin Mukakuning, Batam 29433 Indonesia
TEL: +62-770-61-1123 FAX: +62-770-61-2444



CAUTION

To ensure correct use of these products, read the Instruction Manual prior to use. Failure to follow all safeguards can result in fire, electric shock, or other accidents. Specifications are subject to change without notice.



PATLITE ECO PROJECT

For the benefit of mankind and the earth, PATLITE is committed to developing environmentally friendly products.



ISO9001:2008 Certified
ISO14001:2004 Certified
Headquarters / Sanda Plant