

LES-A

Signal Tower



LES-A



LED

IP54 (Pole-mount IP23)

Ø50

**NPN/PNP
Open-collector**

Versatile, cost and energy efficient LED Signal Tower for every need.



High visibility from any angle



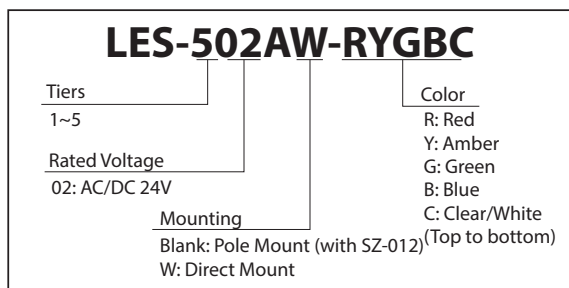
Dual Reflection System

PATLITE's original dual reflection system with its exclusive hybrid prism-cut lens and 5 color LED modules creates a bright, distinctive and even illumination.

FEATURES

- PATLITE's exclusive Prism-Cut Lens designed for enhanced visibility from any direction and distance.
 - Original Dual Reflection System for enhanced light diffusion; creating bright, distinctive illumination while saving energy.
 - Direct or pole mount installation.
 - Main body is constructed of ABS resin with superior resistance to impact and heat.
 - Lens is made of superior impact resistant and light translucent AS resin.
 - NPN/PNP Compatible.
 - Conforms to the CE requirements.
 - UL Recognized Components (File No. E215660).
 - Available colors* are in Red, Amber, Green, Blue, and Clear/White.
- * Tiers cannot be increased due to the number of wires corresponding to the amount of tiers.

How to Order

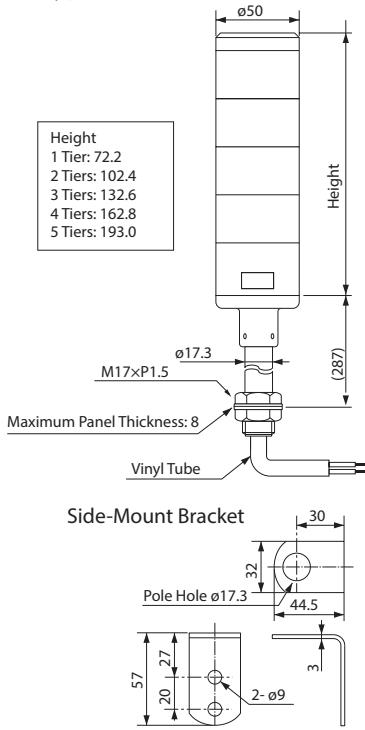


Specifications

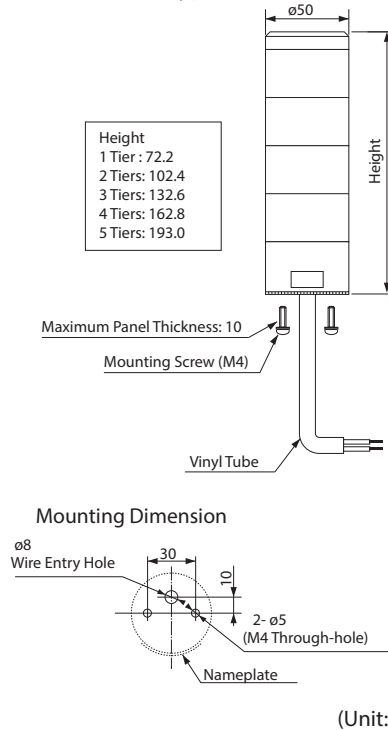
Stack Number	Model	Rated Voltage	Power Consumption	Mass
Pole Type	1 Tier	AC/DC 24V	0.6W	500g
	2 Tiers		1.2W	530g
	3 Tiers		1.7W	560g
	4 Tiers		2.2W	590g
	5 Tiers		2.7W	600g
Direct Mount Type	1 Tier		0.6W	70g
	2 Tiers		1.2W	100g
	3 Tiers		1.7W	130g
	4 Tiers		2.2W	160g
	5 Tiers		2.7W	190g

Dimensions

LES-A Type



LES-AW Type

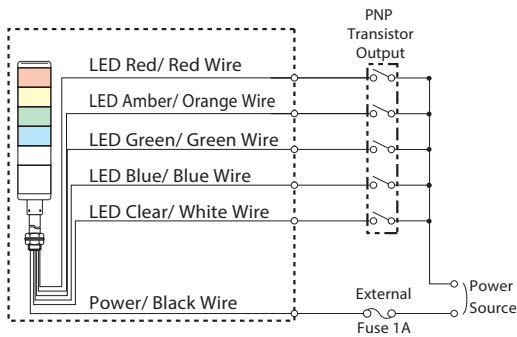


Lead-wire color coordination table

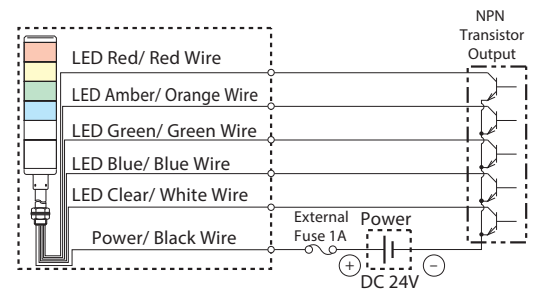
LED Unit Color	Lead Wire Color
Red	Red
Amber	Orange
Green	Green
Blue	Blue
Clear/White	White

LES Model

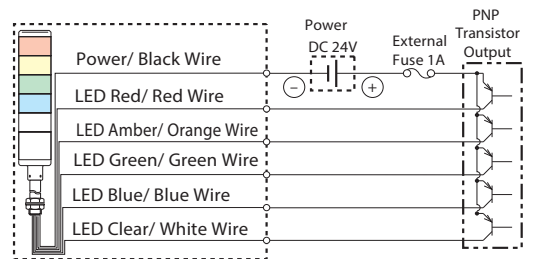
• AC/DC 24V Lighting Type



• DC 24V NPN Type



• DC 24V PNP Type



Signal Line voltage and current per LED Module

Model	Voltage Type	Signal Line Voltage	LED			Alarm	
			Signal Line Current			Signal Line Current	Inrush Current
			R, Y	G, C	B		
LES	AC/DC 24V	AC/DC 24V	25mA	20mA	22mA	40mA	150mA

