

KJS / KJSB

Cube Tower



Model **DEB** LED Lamp
Recommended Product
 For more details on Model DEB Refer to the "Replacement Bulb" Section at the end of this Catalog



Bulb



1 Alarm Sound

85dB at 1m (KJSB)

IP23

82

NPN/PNP
Open-collector



Lightweight Cube Tower featuring a built-in buzzer designed to fit applications for small equipment.

FEATURES

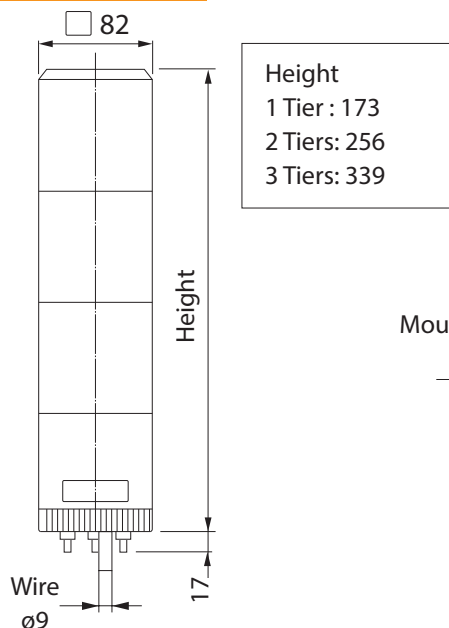
- Built-in Alarm with intermittent buzzer sound and volume of up to 85dB (at 1m).
- Lens is made of superior weather-resistant and light-translucent AS resin.
- Rotating parabolic reflector to enhance visibility from a distance.
- Main body is made of impact and heat resistant ABS resin.
- Available colors are Red, Amber, Green, and Blue.
- Installation is in the upright position only.
- Flashing cycle of 160 times/min.
- One spare bulb is included.

How to Order

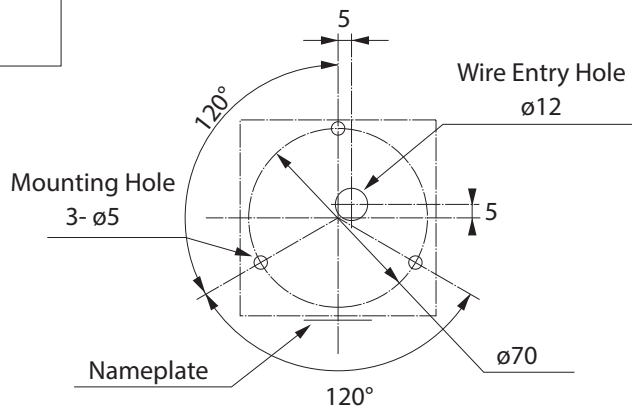
KJSB-302-RYG

Type	Color
B: With audible alarm	R: Red
	Y: Amber
	G: Green
	B: Blue
	(Top to bottom)
Tiers	Rated Voltage
1~3	01: DC 12V
	02: DC 24V
	10: AC 100V
	12: AC 120V
	20: AC 220V

Dimensions

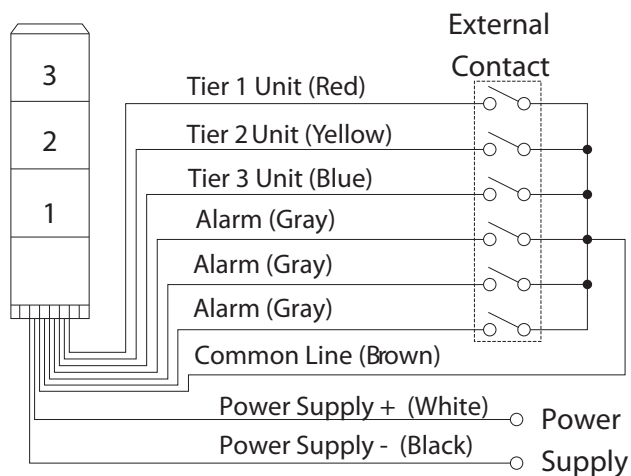


Mounting Dimensions



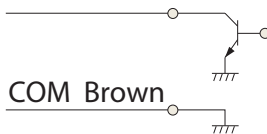
(Unit: mm)

Wiring



NPN Open-collector Transistor

Red, Yellow, Blue, Gray



Current Consumption and Contact Capacity per Module				
Rated Voltage	Lamp Wire Current	Alarm Wire Current	Lamp Wire Contact Capacity	Alarm Wire Contact Current
DC 12V	34mA	100mA	50mA or more	300mA or more
DC 24V				
AC 100V				
AC 120V				
AC 200V				

- ⊖ DC Inputs are polarized.
- ⊖ Only the KJSB has Gray wires for alarm input.

Specifications

Stack Number	Model	Rated Voltage	Power Consumption	Flash Rate (fpm)	Bulb	
					Ratings	Repl. No.
1 Tier	KJS KJSB	-101 DC 12V	6W	160	12V 5W	12
		-102 DC 24V	12W		24V 10W	10
		-110 AC 100V	8W		12V 5W	12
		-112 AC 120V				
		-120 AC 200V				
2 Tiers	KJS KJSB	-201 DC 12V	11W		12V 5W	12
		-202 DC 24V	24W		24V 5W	10
		-210 AC 100V	16W		12V 5W	12
		-212 AC 120V				
		-220 AC 200V				
3 Tiers	KJS KJSB	-301 DC 12V	16W	12V 10W	9	
		-302 DC 24V	35W	24V 10W	10	
		-310 AC 100V	23W	12V 5W	12	
		-312 AC 120V				
		-320 AC 200V				