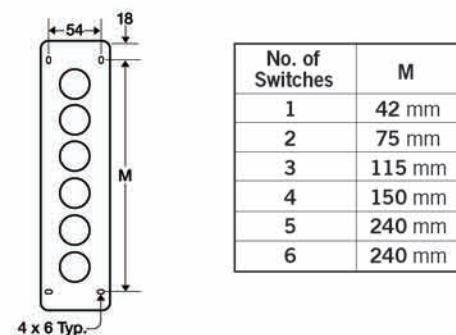
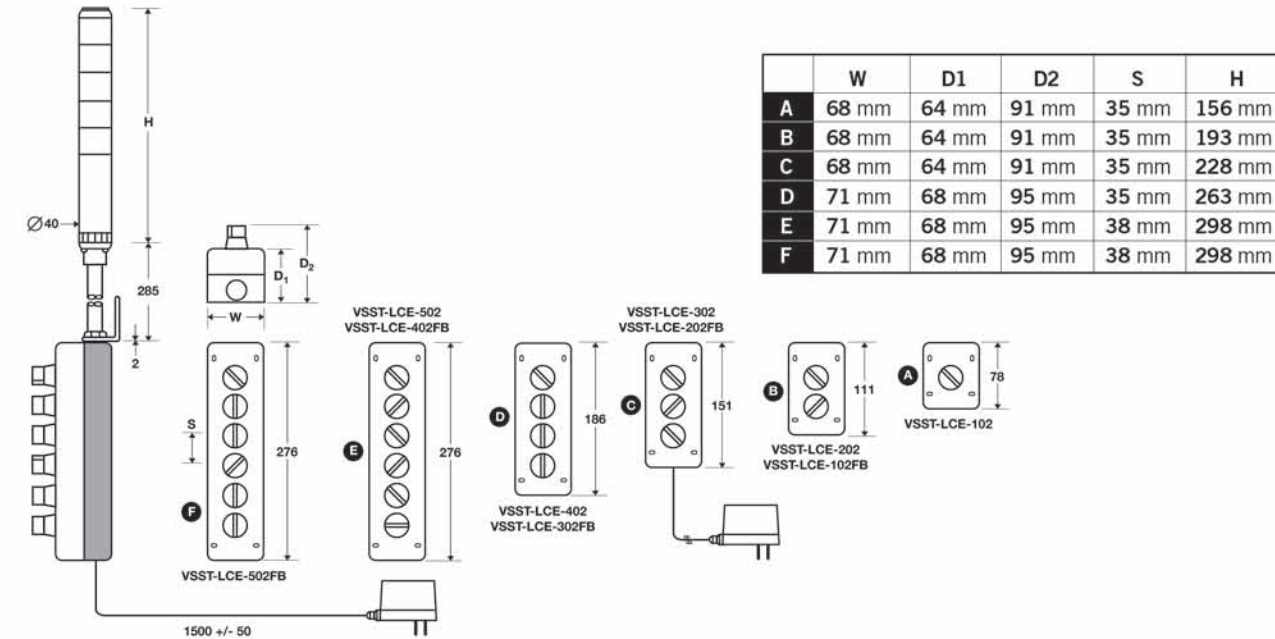
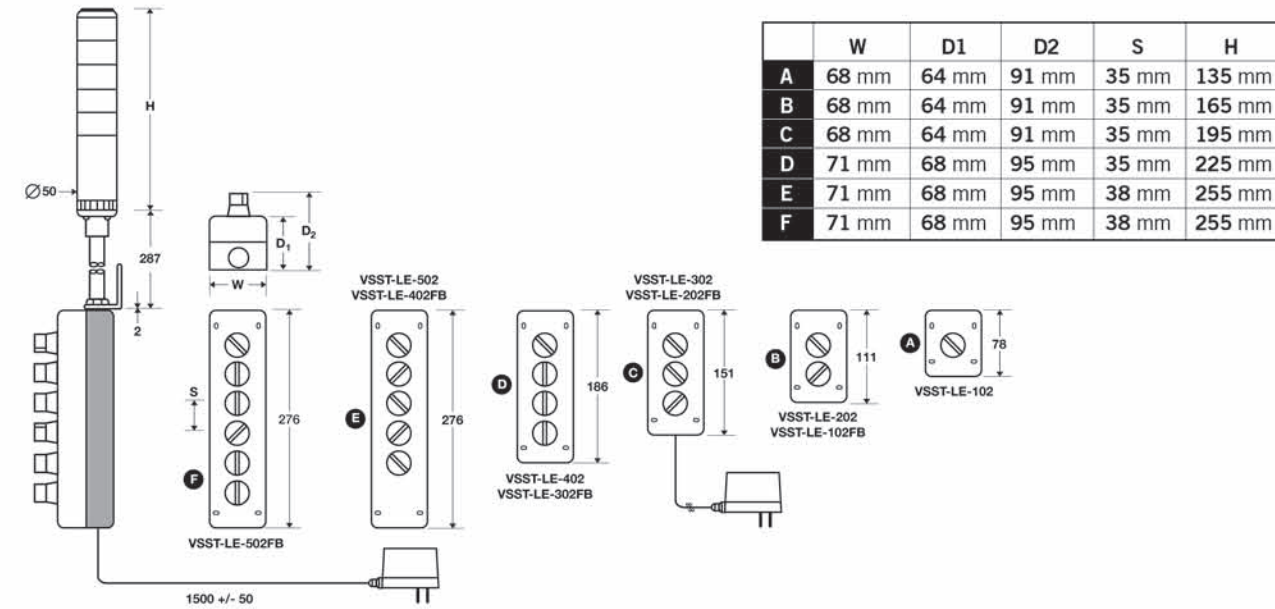


## VSST SPECIFICATION AND DIMENSIONS

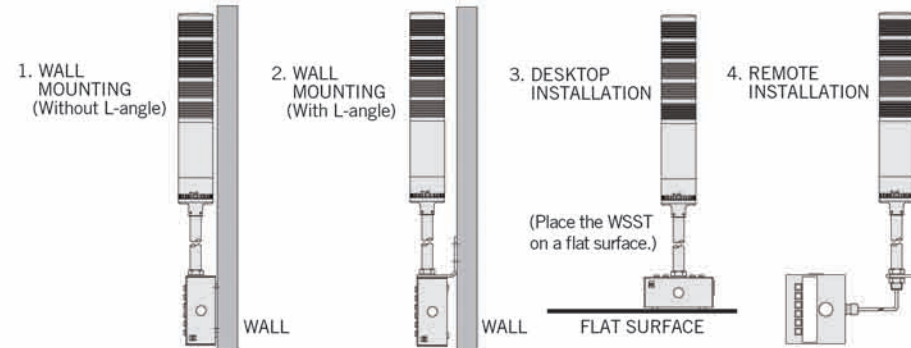


HOW TO ORDER:

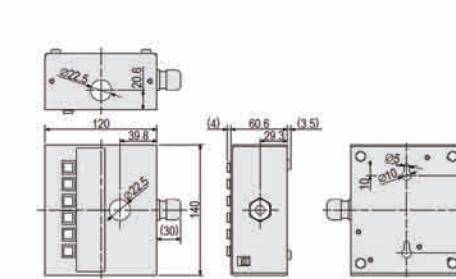
VSST - [ ] - [ ] 0 2 [ ] - [ ]  
**SIGNAL TOWER:** LCE, LE  
**NUMBER OF TIERS:** 1 to 5  
**BLANK:** Continuous, FB: Flashing & Alarm  
**COLORS:** from top to bottom (R,Y,G,B,C)

## WSST SPECIFICATION AND DIMENSIONS

MOUNTING METHOD EXAMPLES



DIMENSIONS



When mounting the LCE, or LCS, or LE(S) or LU5 modules it is necessary to use the SZ-903 adaptor (sold separately) and two nuts with a thickness less than 5.5mm. When mounting the LCE, LCS, LE(S), LU5, MP(S), or ME(S) with the L-angle, use SZ-013 L-angle (sold separately). Please insert hole plugs in the holes which are not used.

SPECIFICATIONS

Rated Voltage	24V DC (No polarity)
Operating Voltage	Rated Voltage $\pm 10\%$
Operating Temperature Range	0°C ~ 40°C
Mounting Location	Indoor use only, Flat surface or Wall without vibration
Protection Rating	No Rating
Mass	900g $\pm 10\%$

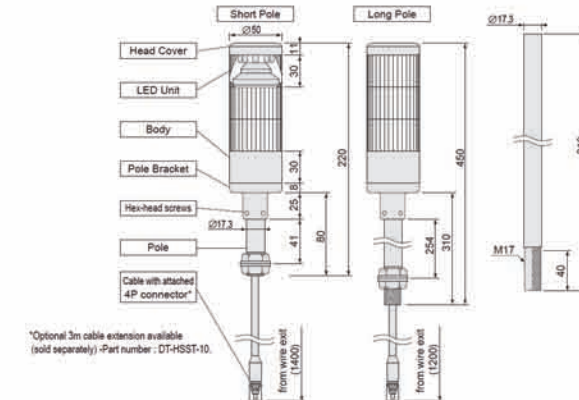
Complies with RoHS directive (DIRECTIVE 2002/95/EC)

HOW TO ORDER:

WSST - KIT  
**MODEL PACKAGE:** Includes Control Box and AC/DC Power Supply

## HSST SPECIFICATION AND DIMENSIONS

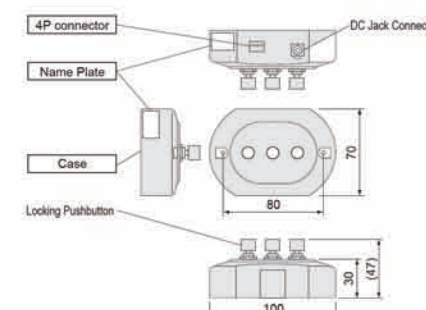
INDICATOR LIGHT



LONG POLE



CONTROL BOX



COMPLETE HSST-312 KIT



SPECIFICATIONS

Rated Voltage	120V AC
Power Consumption	3W (When all 3 lights are on)
Mass	1200g
Cord Length	AC Power : 1800mm Connector Cable : 1200-1400mm

HOW TO ORDER:

HSST - 3 - 12 - RYG  
**MODEL NUMBER OF TIERS Power Supply COLORS:** from top to bottom AC120V / DC24V

**PATLITE**  
 New Frontiers in Safety, Security and Comfort

GLOBAL WEBSITE: www.patlite.com

**PATLITE (U.S.A.) Corporation**  
 20130 S. Western Ave. Torrance, CA 90501, U.S.A.  
 TEL: 888-214-2580 FAX: 1-310-328-2676

**PATLITE Corporation**  
 International Division, Sales and Marketing Department  
 Inaba Bldg 2F, 4-11-14, Itachibori, Nishi-ku, Osaka, Japan 550-0012  
 TEL: +81-6-7688-5400 FAX: +81-6-7688-5401

**PATLITE (SINGAPORE) PTE LTD**  
 No.2 Leng Kee Road, #05-01 The Hong Centre, Singapore 159086  
 TEL: +65-6226-1111 FAX: +65-6324-1411

**PATLITE (CHINA) Corporation** Post Code: 200072  
 Room 512, Jufeng Business Building, No.697-3 Lingshi Road  
 TEL: +86-21-6630-8969 FAX: +86-21-6630-8938

**PATLITE Europe GmbH**  
 Am Soeldnermoos 8, D-85399 Hallbergmoos, Germany  
 TEL: 49-811-9981-9770-0 FAX: 49-811-9981-9770-9

**PATLITE KOREA CO., LTD.**  
 A-2603, Daesung D-POLIS, 543-1 Gasan-dong, Geumcheon-gu, Seoul, Korea  
 TEL: +82-2-523-6636 FAX: +82-2-523-6637

**PATLITE TAIWAN CO., LTD.**  
 7F, No. 91, Huayin St, Datong District Taipei, Taiwan R.O.C.  
 TEL: +02-2555-1611 FAX: +02-2555-1621

**PATLITE**  
 New Frontiers in Safety, Security and Comfort



**HSST-VSST-WSST**  
**VISUAL SIGNAL ALERTS**  
 IMPROVE PRODUCTIVITY IN ANY SETTING



## WSST SERIES VERSATILE AND FUNCTIONAL

PATLITE's WSST Control Box is the latest product that offers an exciting all-in-one functionality as well as remote operation capability to meet the growing needs of more than just the manufacturing industry.

### APPLICATIONS:



EMERGENCY OPERATIONS



CALL CENTERS



APPLICATIONS FOR SAFETY, SECURITY, IMMIGRATION AND CUSTOMS.



RETAIL CHECK STANDS, BANKS, POST OFFICE, AIRPORT COUNTERS.

### FEATURES:

- Universal manual control box for PATLITE visual alert LED Signal Towers.
- Accommodates up to five LED units (Red, Amber, Green, Blue and Clear / White).
- Optional sound alarm available. <sup>\*1</sup>
- Each LED unit can be manually configured for "steady on" or "flashing". <sup>\*1</sup>
- Sturdy metal construction with Six color coordinated push buttons.
- Various all-in-one configurations available: wall, desktop, and remote mounting capabilities. (Signal towers, poles, and cables sold separately. PATLITE can assemble for an additional fee.)
- Very easy setup and operation.
- 120V AC adaptor included.

<sup>\*1</sup> Must purchase Signal Towers with FB (flashing/buzzer) functionality.



WALL MOUNTING

DESKTOP

REMOTE MOUNTING

Tower Lights, Cables and Poles are sold separately.

## HSST SERIES SIMPLE AND ECONOMICAL

The HSST kit is a low cost turn-key solution with a pre-assembled, pre-wired light tower for manual control. The kit includes a three tiered LED signal tower (standard colors of Red/ Yellow/ Green), two poles, one short (80mm) and one long (310mm), necessary mounting brackets, 120V AC adaptor (with an 1,800mm cord) and a manually operable control box.



### APPLICATIONS:



LEAN MANUFACTURING WORKSTATIONS



REMOTE VISUAL INDICATION FOR BUSINESS OFFICES, CUSTOMER CENTER AND HOSPITALS

### FEATURES:

- HSST standard colors: red, yellow, and green.
- LED illuminating light offers maintenance-free operation.
- 120V AC adaptor makes set-up easy in any location (UL Listed).
- Complete kit includes everything including mounting brackets that fits standard cubicle partitions. <sup>\*2</sup>
- 120V AC adaptor comes with a 1800mm cord length.
- Three button switchbox with mounting screws.

<sup>\*2</sup> Kit also includes 50mm diameter signal tower with three LED modules (red/ yellow/ green), 1400mm cable, and 120V AC adaptor.

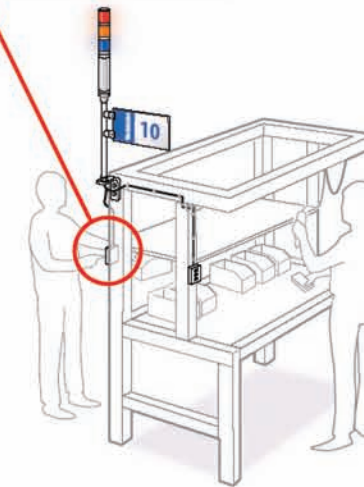


COMPLETE HSST-312 KIT



### EASY TO USE

- Call for additional parts
- Summon a supervisor



CONTROL BOX

SHORT (80MM) AND LONG (310MM) POLE WITH BRACKET INCLUDED.

## VSST SERIES ROBUST AND INDUSTRIAL

PATLITE's new VSST industrial grade switch box offers more options to meet a wide range of applications. It controls both light and buzzer functions for 1-5 light colors, and up to 2 buzzer sounds (depending on capabilities of the selected signal tower). The VSST enclosure and operator devices meet industrial standards for long useful life. VSST Andon units arrive pre-assembled and ready for immediate installation and use.

### APPLICATIONS:



WORK STATIONS



ASSEMBLY LINES



CALL CENTERS



RETAIL CHECK-OUT DESKS

### EASY TO USE

- Continuous or Flashing\* lights
- Plays up to two audible alarms\*
- No re-wiring needed

### FEATURES:

- Compatible with Patlite's LCE (40 mm diam.) and LE (50mm diam.) Signal Towers
- For use with 1 to 5 tier Patlite Signal Towers with flashing and alarm capability
- Can accommodate up to 5 LED modules (Red, Amber, Green, Blue, or Clear / White)
- Configurable light combination
- Each LED tier can be selected for "flashing"\* and "steady" lighting- no need for re-wiring
- Wall Mountable
- Made of industrial grade material
- Power adaptor included

<sup>\*Must purchase Signal Towers with FB (flashing/Alarm) functionality</sup>

