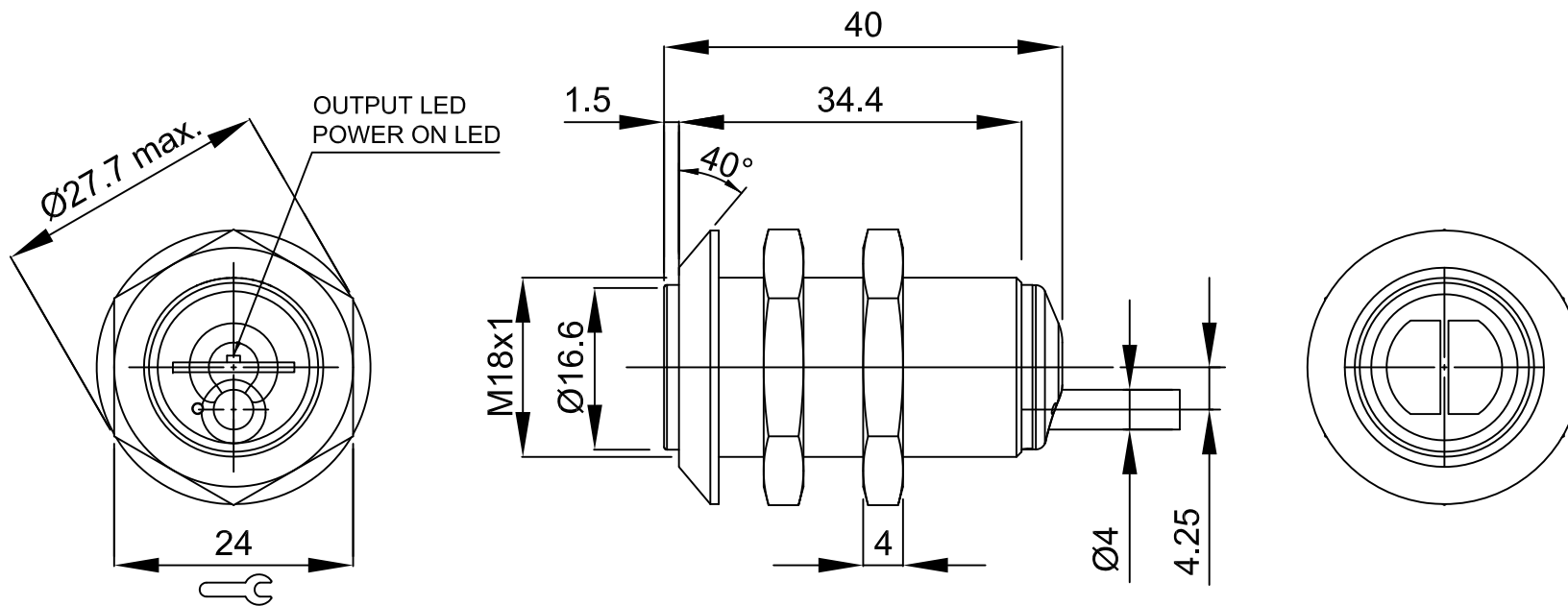
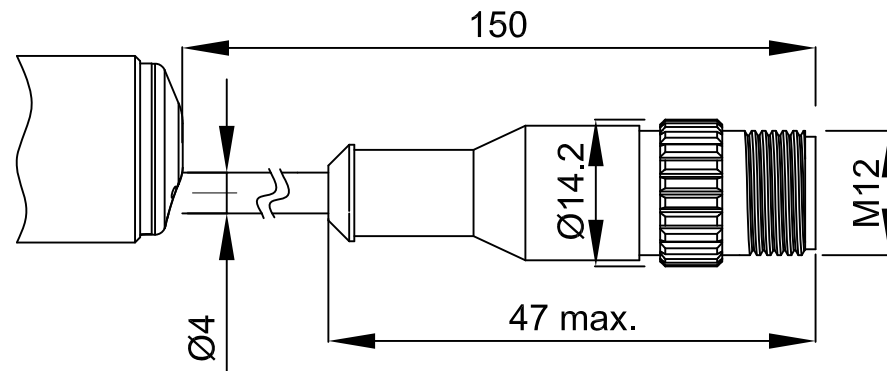


This document, technical information and specification contained herein are proprietary and must not be used, copied, reproduced, or otherwise dealt with nor communicated to others except in accordance with written instructions received from DATASENSOR S.p.A.
 Questo documento, le informazioni tecniche e le specifiche in esso contenute sono da considerarsi confidenziali e non devono essere utilizzate, copiate, riprodotte o trattate diversamente, né comunicate ad altri, se non in seguito ad istruzioni scritte ricevute da DATASENSOR S.p.A.



PIG-TAIL VERSION



mm

MOD.	REV.	APPLICATION	DESCRIPTION	DATE	SIGNATURE	
DIMENSION WITHOUT TOLERANCE RANGE:			NOTE			
PRECISION RANGE	DIMENSIONAL GROUPS		TREAT.	SCALE		
	> 0 to 6	> 6 to 30	> 30 to 120	> 120 to 315	> 315 to 999	
MEDIUM	± 0.1	± 0.2	± 0.3	± 0.5	± 0.8	
PRECISE	± 0.05	± 0.1	± 0.15	± 0.2	± 0.3	
MATER.			DES.BY	DATE	APPROV.	
DATASENSOR S.p.A. Via Lavino, 265 40050 Monte S.Pietro - Bologna - Italy Tel: +39 051 6765611 Fax: +39 051 6759324 http://www.datasensor.com e-mail: Info@datasensor.com			PART DESCRIPTION		MOLD N°	
					PART N°	REV.
					PART NAME	